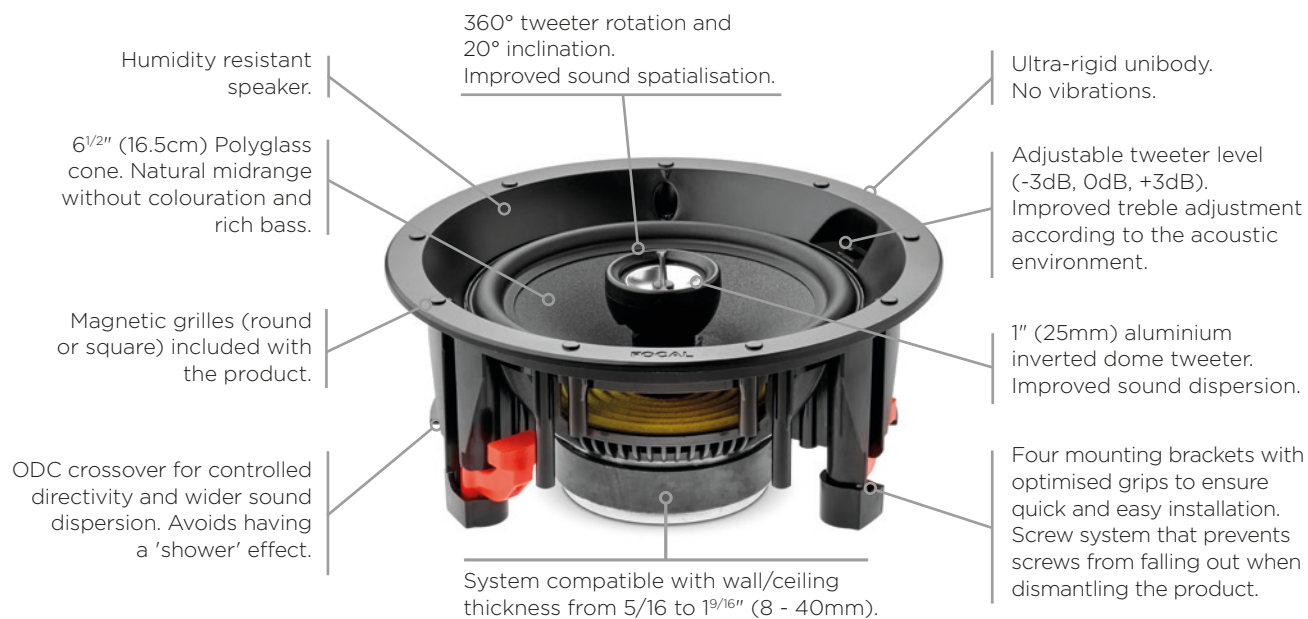


# 100ICW6

## Product Data Sheet



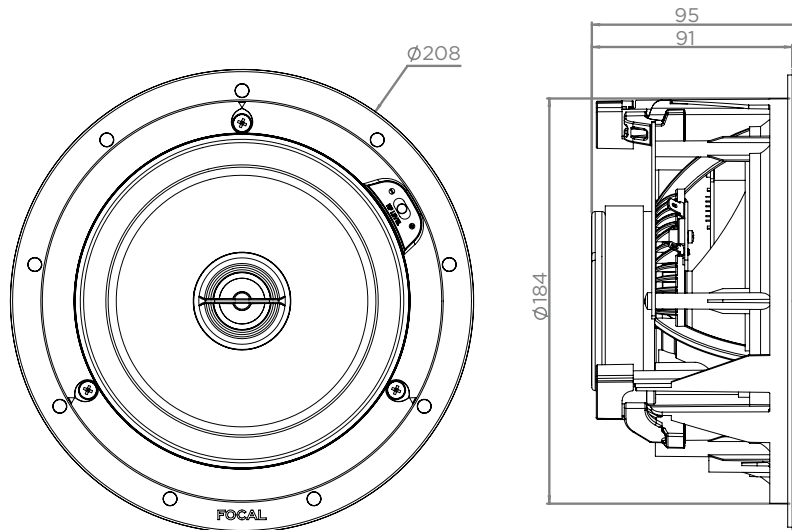
### Key Points

- Product designed and developed in France by Focal
- Compact product with shallow mounting depth
- For in-ceiling or in-wall loudspeakers (1 product, 2 uses)
- Possible to connect two loudspeakers to the same amplifier output
- Ready-to-paint grille

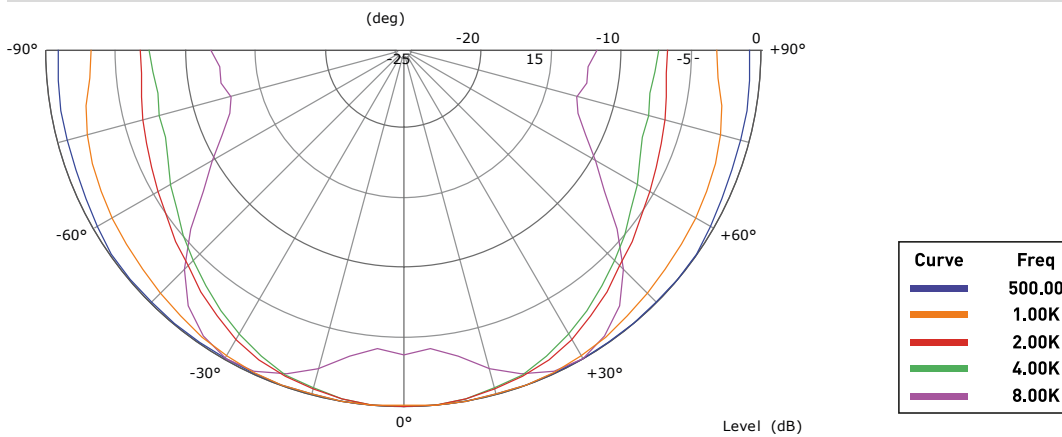
### Technical Specifications

Type	In-wall/In-ceiling - 2-way coaxial
Drivers	6 1/2" (16.5cm) Polyglass Midbass 1" (25mm) Al inverted dome Tweeter
Sensitivity (2.83V/1m)	89dB
Frequency response (+/-3dB)	62Hz-23kHz
Low frequency point (-6dB)	50Hz
Nominal impedance	8Ω
Minimal impedance	7.3Ω
Recommended amplifier power	25-100W
External dimensions (Ø/Depth)	8 3/16" x 3 47/64" (208x95mm)
Cut-Out diameter	7 1/4" (184mm)
Depth from wall	3 37/64" (91mm)
Net weight (with front grille)	3.3lbs (1.50kg)
Packing dimensions (WxDxH)	10 5/8" x 10 5/8" x 6 1/16" (270x270x170mm)
Total weight (with packaging)	4.96lbs (2.25kg)

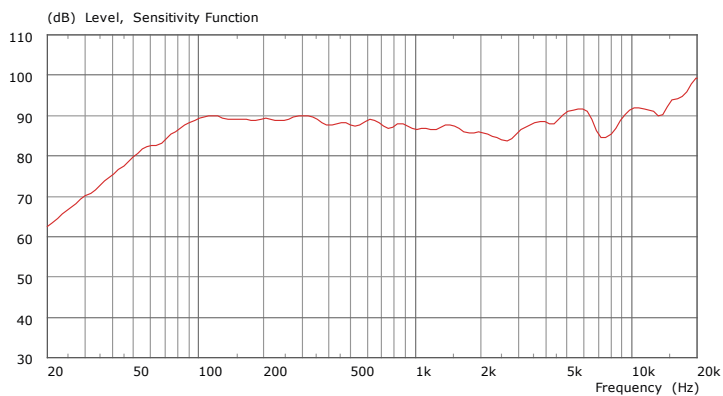
## Dimensions



## Measurements Directivity



## Frequency Response



## 100ICW6 Speaker level Calculation Table

Power/Distance	1m	2m	5m
1W (2.83V)	89dB	83dB	75dB
5W (8.94V)	96dB	90dB	82dB
10W (12.6V)	99dB	93dB	85dB
20W (15.5V)	102dB	96dB	88dB

Summary	125Hz	250Hz	500Hz	1kHz	2kHz	4kHz	8kHz
SPL (2.83V/1m) (dB)	90	89	89	88	87	89	87
Opening angle at -6dB	180°	180°	180°	180°	140°	120°	100°